

# Piston Pump

LabPV, LabPF, LabPM

## Features

With streamlined body design, ABS engineering plastic shell.

Three types of motors are available: stepper motor, servo motor, dc brushless motor.

316 stainless steel and die casting aluminum piston pump head material optional.

Suitable for transmission of high temperature, high pressure liquid, widely used in laboratories, industrial and other places.

## Model Number

LabPV, LabPF, LabPM

## Typical Application

Mainly used in laboratories



## Technical Specifications

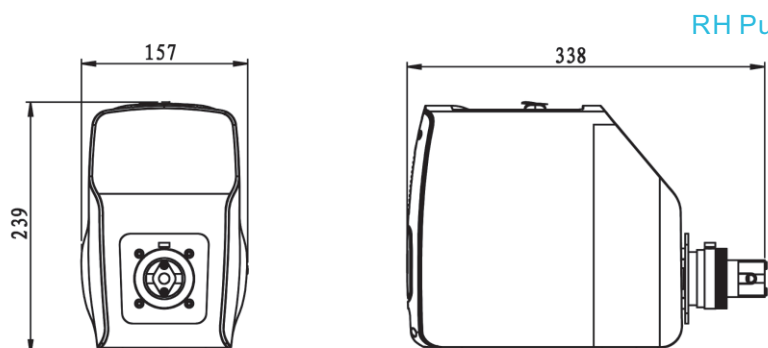
Piston size code	Volume (mL/min)	Max. flow rate (mL/min)	Speed range	Max temp (°C)	Materials of construction		
					Piston	Cylinder body	Cylinder liner
RH00	0.025	0-75	0-3000	100°C	Ceramic	PVDF	Ceramic
				60°C	316SS	PVDF	Carbon
					316SS	Tefzel	Carbon
RH0	0.05	0-150	0-3000	100°C	Ceramic	PVDF	Ceramic
					Ceramic	Tefzel	Ceramic
RH1	0.1	0-300	0-3000	100°C	Ceramic	PVDF	Ceramic
					Ceramic	Tefzel	Ceramic
Q0	0.08	0-144	0-1800	60°C	316SS	PVDF	Carbon
					316SS	316SS	Carbon
Q1	0.32	0-576	0-1800	100°C	Ceramic	PVDF	Ceramic
					Ceramic	PVDF	Carbon
				177°C	Ceramic	316SS	Ceramic
					Ceramic	316SS	Carbon
				60°C	316SS	PVDF	Carbon
Q2	0.72	0-1296	0-1800	100°C	Ceramic	PVDF	Ceramic
					Ceramic	PVDF	Carbon
				177°C	Ceramic	316SS	Ceramic
					Ceramic	316SS	Carbon
				60°C	316SS	PVDF	Carbon
Q3	1.28	0-2304	0-1800	100°C	316SS	316SS	Carbon
					Ceramic	PVDF	Ceramic

## Technical Specifications

Outlet pressure	0.69 MPa	Power supply	AC 220V±10% 50Hz/60Hz(standard) AC 110V±10% 50Hz/60Hz(optional)
External control signal	Speed signal: 10V, 4-20mA	Drive weight	4.4Kg pedal
Start/stop	Passive switch signal, Active switch signal	Drive dimension	261.4×157.3×236.9mm
Communication interface	RS232, RS485 support MODBUS protocol(RTU mode)	Power consumption	<100W
Motor type	LabPV-L/LabPF-L/LabPM-L, Stepper motor	Condition temperature	0-40°
	LabPV-M/LabPF-M/LabPM-M, Servo motor	Relative humidity	<80%
	LabPV-H/LabPF-H/LabPM-H, Brushless dc motor	IP rate	IP31

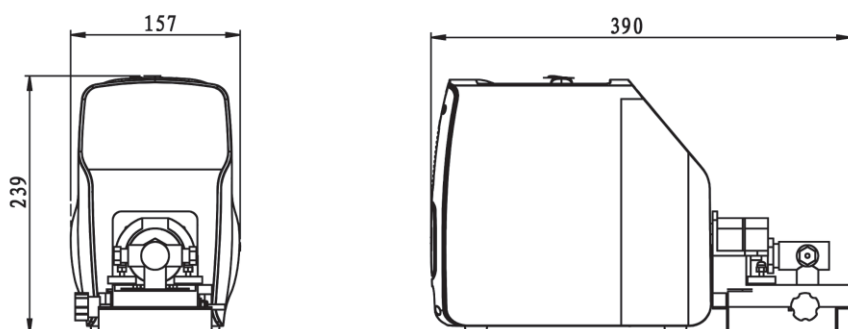
Drive	Model	Speed Range (rpm)	Display	Operating Mode	Function	Motor Status Output Interface
LabPV	Intelligent flow rate type	LabPV-L, 0.1-600rpm	4.3"-industrial-true color LCD Screen	Touch screen + Mechanical keypad	Flow rate/motor speed display, Fixed time and volume, Fixed volume measurement, Timer start and stop functions.	open-collector output
		LabPV-M, 0.1-1800rpm				
		LabPV-H, 100-3000rpm				
LabPF	Intelligent dispensing type	LabPF-L, 1-600rpm	4.3"-industrial-true color LCD Screen	Touch screen + Mechanical keypad	Input dispensing volume, dispensing time, copy numbers, for accurate filling	open-collector output
		LabPF-M, 1-1800rpm				
		LabPF-H, 100-3000rpm				
LabPM	Basic type	LabPM-L, 0.5-600rpm	4 digital LED	Mechanical keypad	Display motor speed, used for common transferring, support simple dispensing (0.5s-999s)	No
		LabPM-M, 0.5-1800rpm				
		LabPM-H, 100-3000rpm				

## Dimension Drawing (Unit: mm)



RH Pump Head

## Dimension Drawing (Unit: mm)



QP Pump Head